



Important Measures

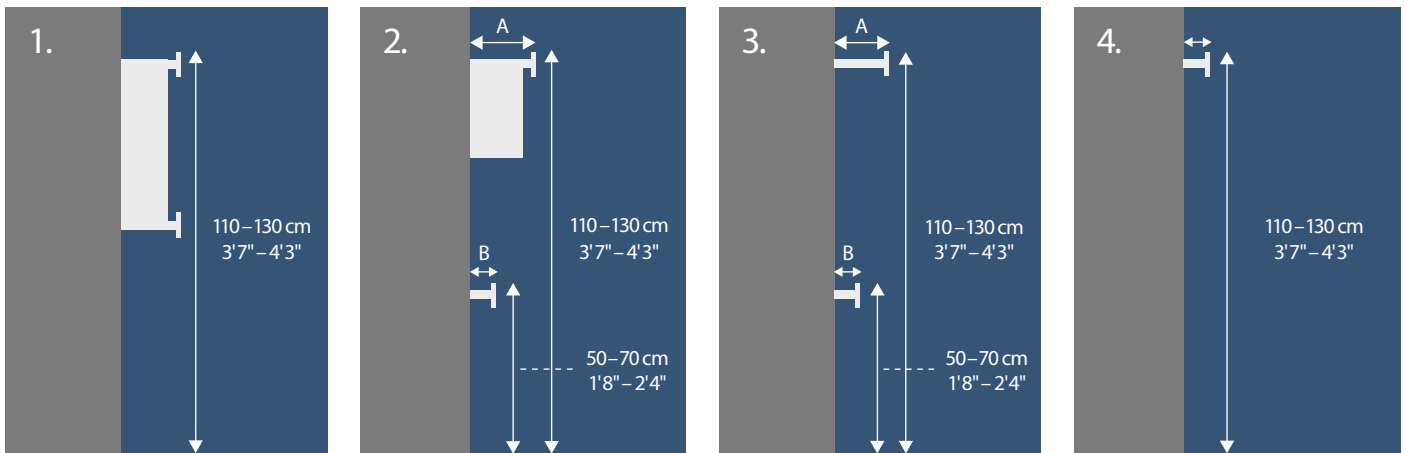
Important measurements for screen installation and operation.

2015-03 • English

T H E S I L E N T I A S C R E E N S Y S T E M

Important Measurements

The Folding Screens can be mounted directly on the wall with spacers or clamps on horizontal medical rails. The different way of mounting depends on the type of room. The illustrations below show the recommended heights for medical rails, though other measurements work just as well. Contact your local distributor to get an optimal solution.



SUPPORT CLAMP (TOP)
Art. no. 6524

STANDARD CLAMP (BOTTOM)
Art. no. 6502

Choose this Support Clamp combination when two rails are in a vertical line. *Important measurements see no. 1.*



CLAMP WITH SPACER (TOP AND BOTTOM)
Art. no. 6535

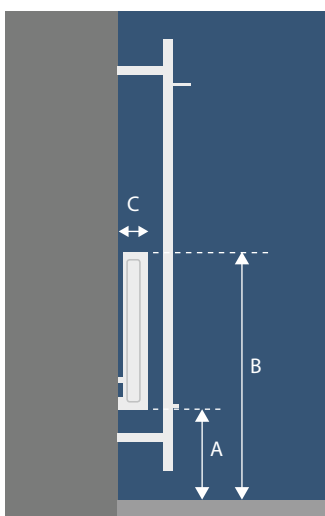
Choose this combination when you need a space between the rail and the screen for tubes and other equipment. *Important measurements see no. 1.*



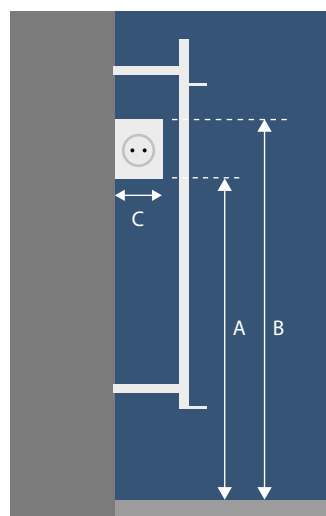
STANDARD CLAMP (TOP)
Art. no. 6502

ADJUSTABLE CLAMP (BOTTOM)
Art. no. 6516

Choose this Support Clamp combination when one rail is closer to the wall than the other. *Important measurements see no. 2 and 3.*



MOUNTING IN FRONT OF RADIATOR WITH WALL MOUNT SPACER



MOUNTING IN FRONT OF A SUPPLY PANEL WITH WALL MOUNT SPACER

When you mount a Folding Screen in front of a radiator or a supply panel, it is important to provide the following measurements when placing an order.

A. _____

B. _____

C. _____

Read more about mounting and accessories at our website, www.silentia.eu.