

Keep it Clean™

3 easy and important facts to consider when comparing privacy screen systems

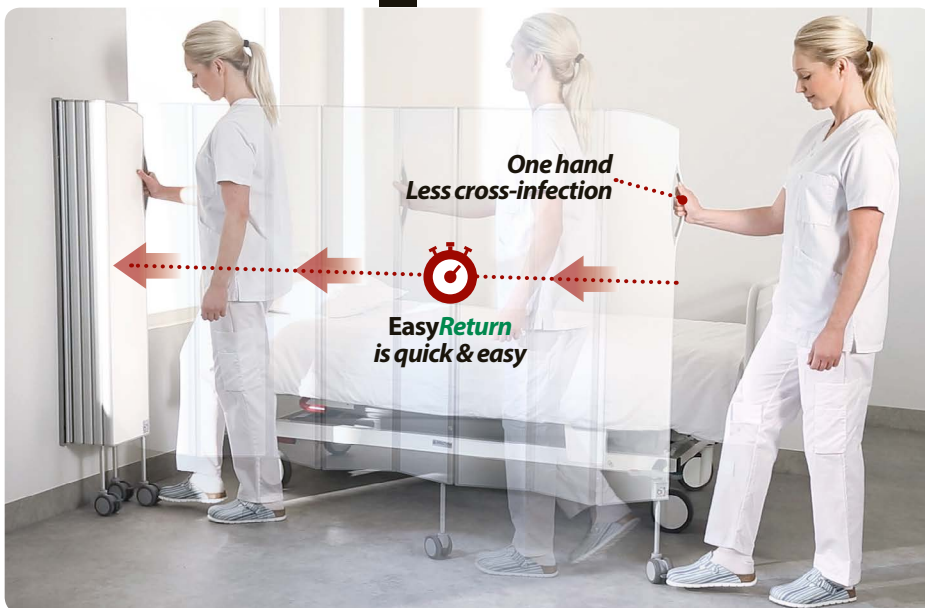


1. EasyClean

Optimises infection prevention

The Silentia Screen System meets strict hygiene requirements.

- All surfaces are smooth and easy to access
- All surfaces withstand disinfectants used in today's care situations



2. EasyReturn

Quick and easy to fold back

Lightweight material and a Built-In Memory for an easy and quick return to its original position.

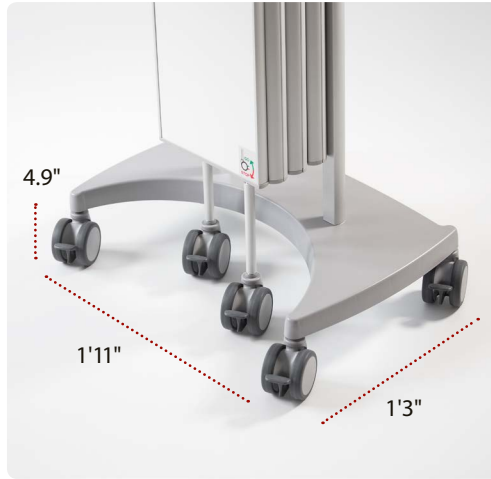
The One Touch Point Handle means:

- No need for hands to touch other surfaces when folding the screen
- Only one hand needs to be used which reduces cross-infection

3. **Mobile** made easy

Silentia's space-saving & secure mobile screens

The Silentia screen is available as a Bed End Screen or Mobile Trolley. Both solutions provide mobile privacy when necessary.



The Bed End Screen and Mobile Trolley have one of the smallest wheelbases on the market. It takes a minimal amount of space while supporting all heights: 4'9", 5'5" and 6'1" for the Mobile Trolley and 5'1" and 6'1" for the Bed End Screen.

All functions are easy to reach from the front of both mobile screens.



1 Push it up against the wall and lock the two front wheels



2 Release the silicon cord

3 Pull the screen out with one hand. This means less cross-infection

Contact Silentia for a free demonstration.

Our product specialists are available to give you a free demonstration. Together we will help you find the right solution for your working environment.

For more info visit our website.